



INSTRUCTIONS

-J04370

REV. 2007-01-29

DYNA GLIDE FRONT SPOILER KIT

GENERAL

Kit Number

58042-08BDK

Models

For model fitment information, please see the P&A Retail Catalog or the Parts and Accessories section of www.harley-davidson.com (English only).

WARNING

The rider's safety depends upon the correct installation of this kit. If the procedure is not within your capabilities or you do not have the correct tools, have a Harley-Davidson dealer perform the installation. Improper installation of this kit could result in death or serious injury. (00308a)

Kit Contents

See Figure 7 and Table 1.

INSTALLATION

Assemble Front Spoiler and Bracket

1. See Figure 1. Position front spoiler as shown and orient bracket (1) with the angled end toward the top of the spoiler.
2. Install two screws (2) and washers (3) to secure upper part of bracket to spoiler. Tighten to 15-20 **in-lbs** (1.7-2.3 Nm).

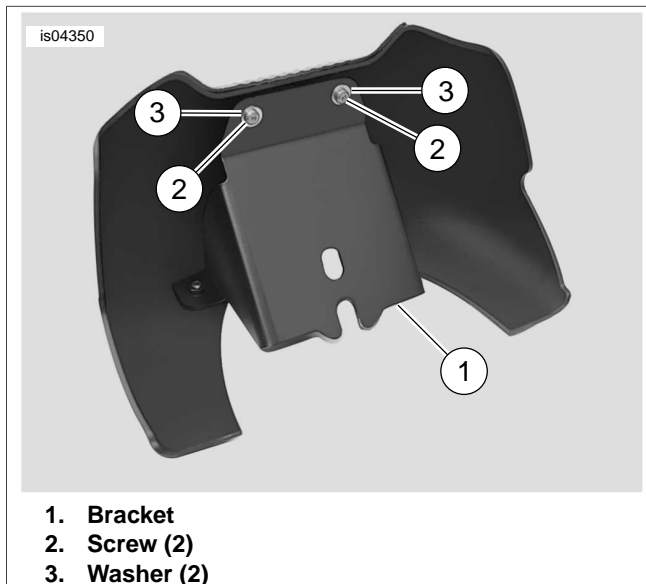


Figure 1. Assemble Top of Bracket to Spoiler

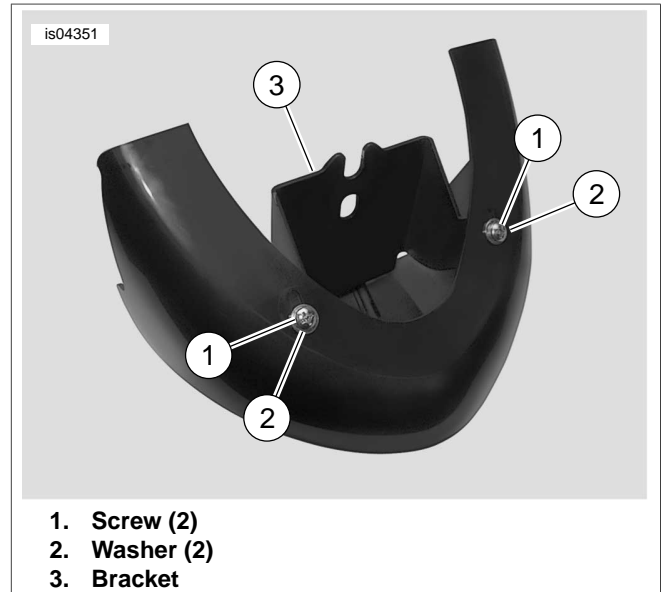


Figure 2. Assemble Bottom of Bracket to Spoiler

3. See Figure 2. From the bottom of the spoiler, loosely install screws (1) and washers (2) into formed nut on bracket (3). This will allow for adjustments (if necessary) after installing the spoiler to the lower frame crossmember.

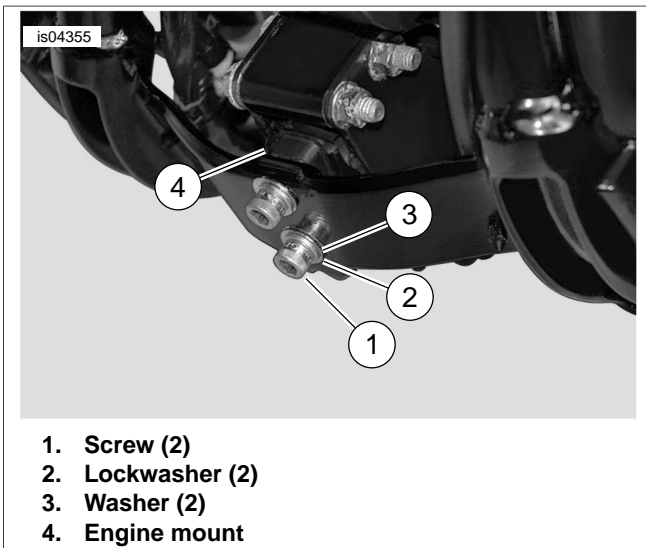
Install Front Spoiler Assembly

NOTES

When removing engine mount screws, use a small bottle jack or similar device (placed directly under the crankcase) to hold the engine in position and maintain hole alignment between the front engine mounts and holes in the lower frame crossmember.

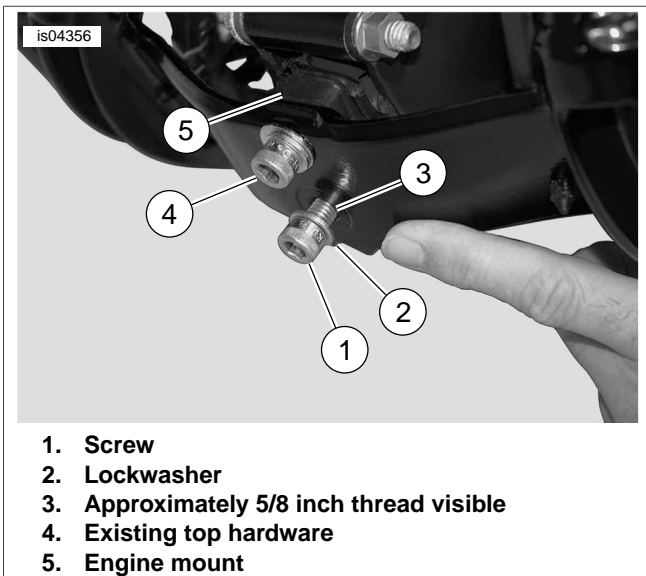
If this safety measure is not followed, the engine may shift slightly making it difficult to align the front engine mount and new screws.

1. See Figure 3. Remove and discard existing bottom screw (1), lockwasher (2), and washer (3) from engine mount (4) at lower frame crossmember.
2. See Figure 4. Thread screw (1) and lockwasher (2) into bottom hole of lower frame crossmember until about 5/8 in. (3) remains visible.
3. Remove and discard existing top hardware (screw, lockwasher, and washer) (4) from engine mount (5).



1. Screw (2)
2. Lockwasher (2)
3. Washer (2)
4. Engine mount

Figure 3. Existing Front Engine Mount Hardware



1. Screw
2. Lockwasher
3. Approximately 5/8 inch thread visible
4. Existing top hardware
5. Engine mount

Figure 4. Install New Bottom Hardware and Remove Existing Top Hardware

4. See Figure 1 and Figure 2. Obtain spoiler and bracket previously assembled.
5. See Figure 5. Insert bottom open slot in bracket (A) over partially installed bottom screw (A), in between lockwasher and lower frame crossmember.
6. See Figure 4. Back out bottom screw (1) additional threads only if necessary.
7. See Figure 5. Align top slot (B) in spoiler bracket with top hole in lower frame crossmember (B) and install screw (Figure 7, Item 6) and lockwasher (Figure 7, Item 7) until snug.

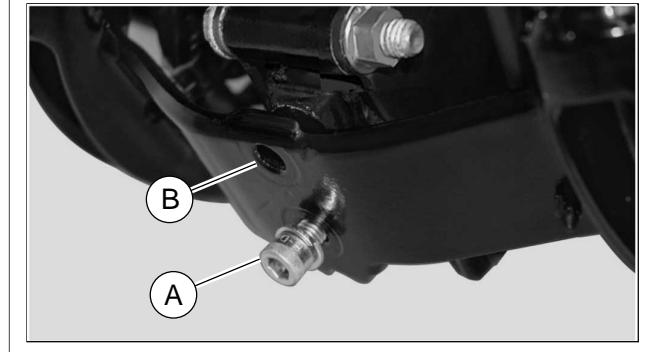
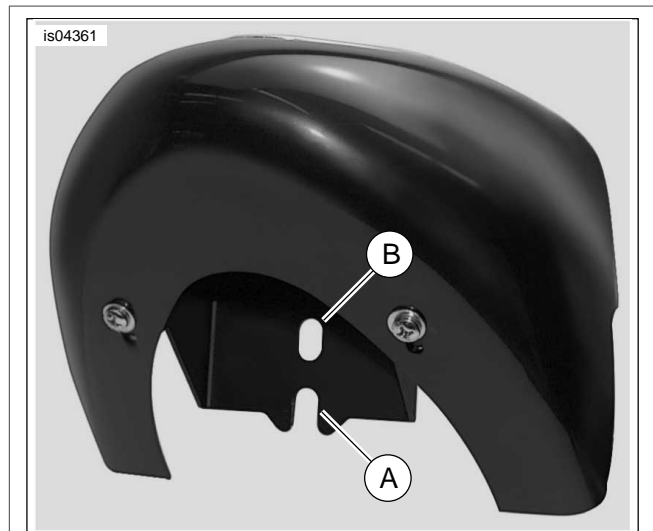


Figure 5. Align and Install Spoiler Assembly

8. See Figure 6. Position spoiler assembly so that there is clearance between the frame and spoiler all around spoiler surfaces and edges. Adjust spoiler as necessary.
9. Tighten engine mount screws (Figure 7, Item 6) to 22-27 ft-lbs (29.8-36.6 Nm).
10. See Figure 2. Tighten screws (1) to 15-20 in-lbs (1.7-2.3 Nm).
11. See Figure 7. Use cable straps (9) to tie back wiring and clutch cable that might contact and rub against spoiler.



Figure 6. Adjust and Secure Spoiler Assembly

SERVICE PARTS

is04349

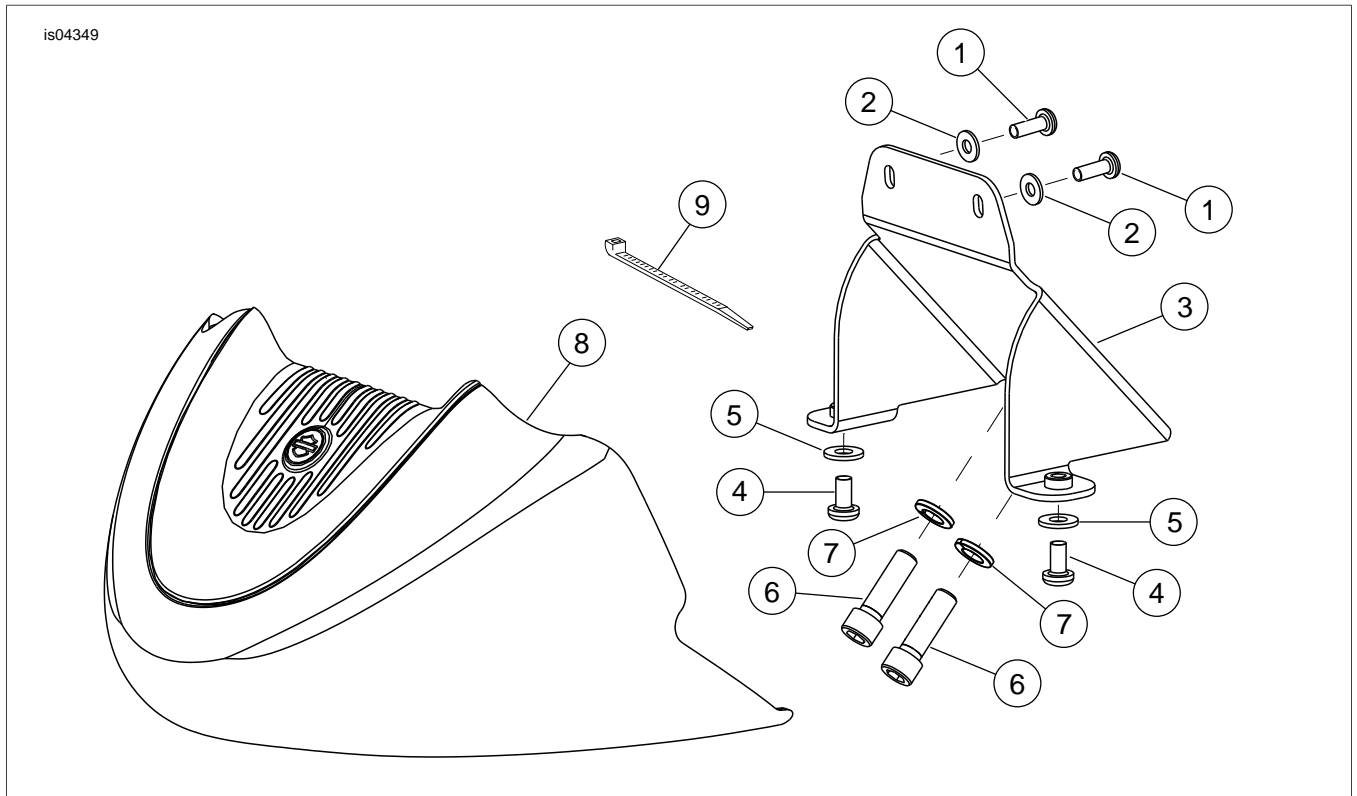


Figure 7. Service Parts: Dyna Glide Front Spoiler Kit

Table 1. Service Parts Table

| Item | Description (Quantity) | Part Number |
|------|---|-------------|
| 1 | Screw, hi-lo (2) | 3596 |
| 2 | Washer flat (2) | 6716 |
| 3 | Bracket, spoiler | 58041-08 |
| 4 | Screw, pan head 1/4-20 x 1/2 in. (2) | 2773 |
| 5 | Washer, flat 1/4 in. (2) | 6703 |
| 6 | Screw, socket head 3/8-16 x 1-1/4 in. (2) | 4748 |
| 7 | Lockwasher, 3/8 in. (2) | 7038 |
| 8 | Spoiler, primed | 58042-08BDK |
| 9 | Strap, cable (3) | 10006 |