



INSTRUCTIONS

-J04346

REV. 2007-05-29

SCREAMIN' EAGLE STAGE 1 KIT FOR DYNA MODELS

GENERAL

Kit Number

29406-08

Models

Fits all 2008 Dyna, with OE (Original Equipment) cover.

Additional Parts Required

Proper installation of this kit requires the use of Digital Technician™ at a Harley-Davidson dealer.

This kit requires the separate purchase of Air Cleaner/Degreaser (99883-88T) which is available from a Harley-Davidson dealer.

⚠ WARNING

The rider's safety depends upon the correct installation of this kit. Use the appropriate service manual procedures. If the procedure is not within your capabilities or you do not have the correct tools, have a Harley-Davidson dealer perform the installation. Improper installation of this kit could result in death or serious injury. (00333a)

NOTE

This instruction sheet references Service Manual information. A Service Manual for your model motorcycle is required for this installation and is available from a Harley-Davidson dealer.

Kit Contents

See Figure 1 and Table 1.

NOTES

Installation of this kit by an authorized Harley-Davidson dealer will not impact your limited vehicle warranty.

This Stage 1 kit is intended for High Performance applications only. This engine related performance part is legal for sale or use in California on pollution controlled motor vehicles. Engine related performance parts are intended for the experienced rider only.

The air cleaner contained in this kit is designed to perform with this kit only. Any other combination of components is not confirmed to be legal for street use.

REMOVAL

1. Remove Maxi® Fuse. Refer to MAXI FUSE REMOVAL in Owner's Manual.
2. Remove existing air cleaner backplate. Refer to AIR CLEANER: EFI, REMOVAL in Service Manual. Save stock air cleaner cover, button head screw that secures cover, and two breather screws removed from backplate. Discard remaining parts.

INSTALLATION

Install Air Cleaner

⚠ WARNING

The element in this kit is specifically designed for use with the OE (original equipment) cover. Using this kit with an air cleaner cover other than the OE cover could lead to failure of the element faceplate. The kit may be used in conjunction with other H-D accessory covers provided the appropriate adapter recommended in those kits is used. If the element faceplate fails the cover could detach possibly distracting the rider which could result in death or serious injury. (00400b)

NOTE

When servicing the air cleaner, apply Loctite® 243 (blue) 99642-97 to threads of all fasteners.

1. Clean lower area of induction module side of backplate. Use a mixture of 50 to 70% isopropyl alcohol and 30 to 50% distilled water. Allow to dry thoroughly. Orient adhesive backed clip (8) with opening upwards, and affix in 6 o'clock position. Clamp wire previously removed from original equipment backplate.
2. See Figure 1. Install two O-rings (1) from kit in grooves around breather screw holes on induction module side of backplate assembly (2).
3. Peel the protective strip off the gasket (3) and place the adhesive side onto the backplate. Position the gasket carefully before firmly pressing the gasket into place.
4. Insert breather screws (A) through the backplate.
5. Apply Loctite 243 (blue) to breather screw threads and mating tapped holes in cylinder head.
6. Thread screws into cylinder head but do not tighten.
7. Thread air cleaner mounting studs (4) all the way through the backplate (2) and gasket (3) until the screw threads are captured in induction module. Do not tighten completely at this time.
8. Alternately tighten two breather screws (A) to 120-144 **in-lbs** (13.6-16.3 Nm).
9. Press breather plugs (5) into breather screw cavities and onto ends of breather screws, aligning tubes with recesses in backplate.
10. Tighten three air cleaner studs (4) to 55-60 **in-lbs** (6.2-6.8 Nm).

Install Air Cleaner Element and Cover

NOTES

This is a dry air filter. Do not apply oil to the filter element.

Whenever the air cleaner cover is installed, apply Loctite 243 (blue) to the air cleaner cover screw.

1. See Figure 1. Secure air filter element (7) to air cleaner mounting studs (4) using screws (6). Tighten screws to 55-60 **in-lbs** (6.2-6.8 Nm).
2. Carefully remove and discard the original air cleaner cover insert from air cleaner cover (B). Remove any residual adhesive on the cover with mineral spirits.
3. To ensure surface cleanliness, clean the insert area with a mixture of 50 to 70% isopropyl alcohol and 30 to 50% distilled water. Allow to dry thoroughly.
4. Peel liner from adhesive backing of air cleaner cover insert (9). Position insert over air cleaner cover (B) without touching adhesive on cover surface. Line up top of insert with top of oval air cleaner cover.
5. Press air cleaner cover insert firmly against the cover all around, and hold pressure for 30 seconds. After releasing pressure, avoid direct contact with the insert for about 20 minutes.

NOTE

Allow at least 24 hours after applying the insert before exposing the area to vigorous washing, strong water spray, or extreme weather. The adhesive bond will increase to maximum strength after about 72 hours at normal room temperatures.

6. Align air cleaner cover adapter (8) with filter element channel and mounting screws. Set adapter into place, ensuring adapter rib fits fully into element channel.
7. Align air cleaner cover to cover adapter, then tighten screw securely. Tighten to 36-60 **in-lbs** (4.1-6.8 Nm).

Final Assembly

1. Refer to Owner's Manual to install Maxi® Fuse.

Recalibrate ECM

CAUTION

You must recalibrate the ECM when installing this kit. Failure to properly recalibrate the ECM can result in severe engine damage. (00399b)

Download the new ECM calibration using the Digital Technician™ at a Harley-Davidson dealer.

MAINTENANCE

Air Cleaner Element Maintenance

NOTES

This is a dry air filter. Do not apply oil to the filter element.

When servicing the air cleaner, apply Loctite 243 (blue) to threads of all fasteners.

1. See Figure 1. Remove air cleaner cover (B) and inspect the filter element (7) every 5000 mi (8000 km), or more often under dusty conditions.
2. Clean filter element as follows:
 - a. Remove and wash element by immersing it, on edge, in a shallow pan containing enough Air Cleaner/Degreaser to cover *no more* than 3/4 the depth of the filter pleats. *Do not let dirty solution get inside the element.* Carefully "roll" the element in the solution around its perimeter until the entire outer surface of the filter pleats has been soaked.
 - b. Remove filter element from cleaner/degreaser and allow five minutes for the cleaner to dissolve the dirt.
 - c. From the inside out, rinse the element with cold water. Shake off excess water, and allow the element to air dry. *Do not dry with compressed air.*
3. Install air cleaner element and cover.

SERVICE PARTS

is005096

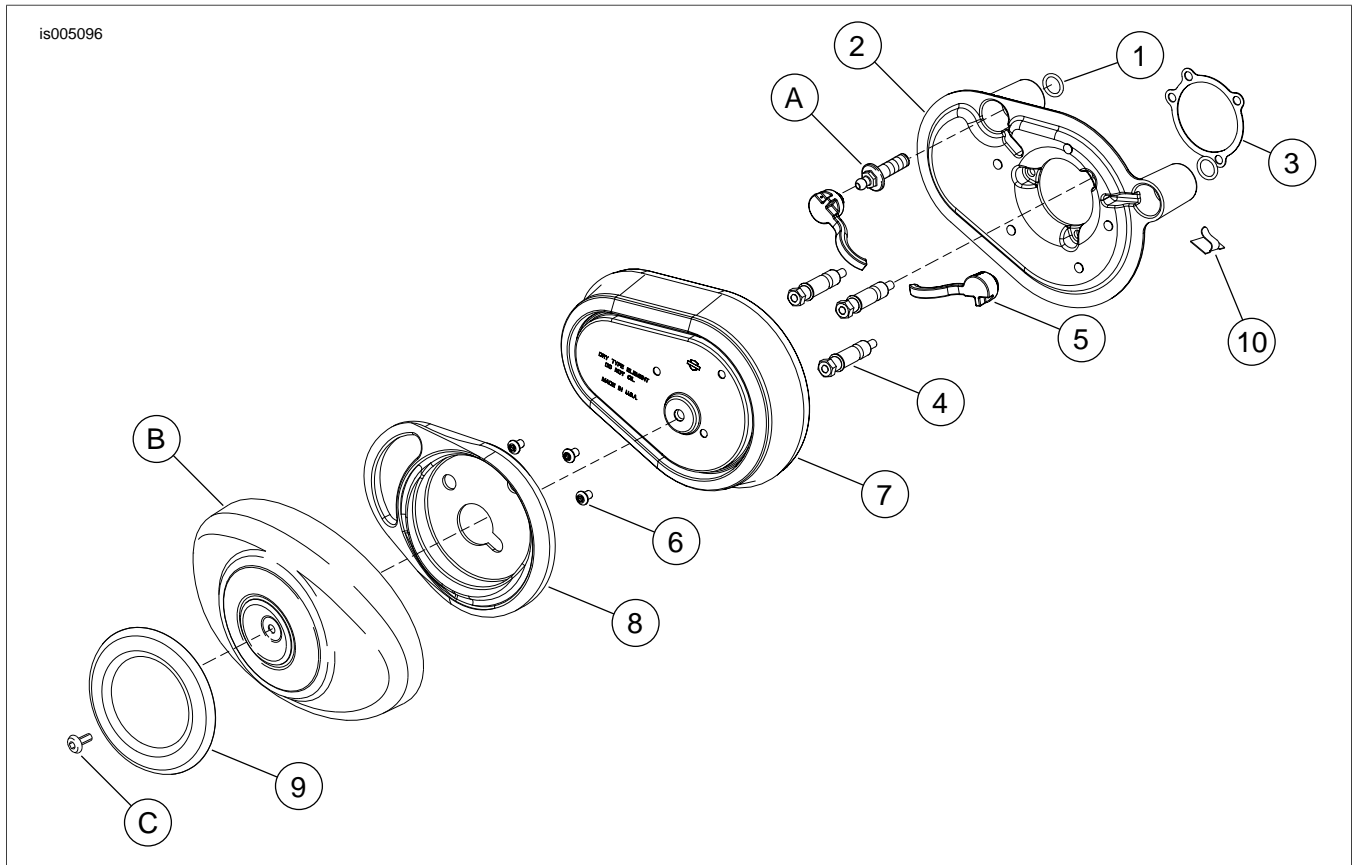


Figure 1. Service Parts: Screamin' Eagle Stage 1 Kit

Table 1. Service Parts: Screamin' Eagle Stage 1 Kit

Item	Description (Quantity)	Part Number
1	O-ring (2)	11292
2	Backplate assembly	29384-08
3	Gasket, backplate	29059-88A
4	Stud, air cleaner (3)	29447-99A
5	Plug, breather (2)	29557-05
6	Screw, air cleaner element (3)	3938
7	Filter element	29385-08
8	Adapter, air cleaner	29392-08
9	Insert, cover	29398-08
10	Clip, adhesive	10102
11	Loctite 243 (blue) (not shown)	Not Sold Separately
Items mentioned in text, but not included in kit:		
A	Breather screw (2)	
B	Air cleaner cover	
C	Screw	