



INSTRUCTIONS

-J04339

REV. 2007-08-01

SCREAMIN' EAGLE STAGE 1 KIT FOR EFI MODELS

GENERAL

Kit Number

29260-08

Models

Fits all 2008 and later Touring models.

Additional Parts Required

Proper installation of this kit requires the use of Digital Technician™ at a Harley-Davidson dealer.

This kit requires the separate purchase of Air Cleaner/Degreaser (99883-88T) which is available from a Harley-Davidson dealer.

⚠ WARNING

The rider's safety depends upon the correct installation of this kit. Use the appropriate service manual procedures. If the procedure is not within your capabilities or you do not have the correct tools, have a Harley-Davidson dealer perform the installation. Improper installation of this kit could result in death or serious injury. (00333a)

NOTE

This instruction sheet references Service Manual information. A Service Manual for your model motorcycle is required for this installation and is available from a Harley-Davidson dealer.

Kit Contents

See Figure 1 and Table 1.

NOTES

This Stage 1 kit is intended for High Performance applications only. This engine related performance part is legal for sale or use in California on pollution controlled motor vehicles. Engine related performance parts are intended for the experienced rider only.

The air cleaner contained in this kit is designed to perform with this kit only. Any other combination of components is not confirmed to be legal for street use.

REMOVAL

1. Remove Maxi® fuse. Refer to MAXI FUSE REMOVAL in Service Manual.
2. Remove existing air cleaner backplate. Refer to AIR CLEANER: EFI, REMOVAL in Service Manual. Save stock air cleaner cover and button head screw that secures cover. Discard remaining parts.
3. Remove fuel tank. Refer to Section 4, FUEL SYSTEM, in Service Manual.

4. See Figure 1 and Table 1. Remove and discard support induction module bracket (C).

INSTALLATION

Install Air Cleaner

⚠ WARNING

The element in this kit is specifically designed for use with the OE (original equipment) cover. Using this kit with an air cleaner cover other than the OE cover could lead to failure of the element faceplate. The kit may be used in conjunction with other H-D accessory covers provided the appropriate adapter recommended in those kits is used. If the element faceplate fails the cover could detach possibly distracting the rider which could result in death or serious injury. (00400b)

NOTE

When servicing the air cleaner, apply Loctite® 243 (blue) 99642-97 to threads of all fasteners.

1. See Figure 1. Install two O-rings (1) from kit in grooves around breather screw holes on induction module side of backplate assembly (2). Install two O-rings (1) from kit in grooves in underside of head of breather screws (5).
2. Peel the protective strip off the gasket (3) and place the adhesive side onto the backplate. Align to the equally spaced screw holes, and position the gasket carefully before firmly pressing the gasket into place.
3. Insert new breather bolts (5) through the backplate.
4. Apply Loctite 243 (blue) to breather bolt threads and mating tapped holes in cylinder head.
5. Thread screws into cylinder head but do not tighten.
6. Thread air cleaner mounting studs (4) all the way through the backplate (2) until the screw threads are captured in induction module. Do not tighten completely at this time.
7. Alternately tighten two breather bolts (5) to 120-144 **in-lbs** (13.6-16.3 Nm).
8. Tighten three air cleaner studs (4) to 55-60 **in-lbs** (6.2-6.8 Nm).
9. Reinstall fuel tank.

Install Air Cleaner Element and Cover

NOTES

This is a dry air filter. Do not apply oil to the filter element.

Whenever the air cleaner cover is installed, apply Loctite 243 (blue) to the air cleaner cover screw (B).

1. See Figure 1. Secure air filter element (7) to air cleaner mounting studs (4) using screws (6). Tighten screws to 55-60 **in-lbs** (6.2-6.8 Nm).
2. Apply Loctite 243 (blue) to threads of air cleaner cover screw (A). Secure air cleaner cover (B) to air filter element (7) with screw (A).
3. Align air cleaner cover horizontally for best appearance, then tighten to 36-60 **in-lbs** (4.1-6.8 Nm).
4. Remove adhesive liner from air cleaner insert (8) and apply insert to air cleaner cover.

Final Assembly

1. Install Maxi fuse. Refer to MAXI FUSE INSTALLATION in Service Manual.

Recalibrate ECM

CAUTION

You must recalibrate the ECM when installing this kit. Failure to properly recalibrate the ECM can result in severe engine damage. (00399b)

Download the new ECM calibration using the Digital Technician™ at a Harley-Davidson dealer.

MAINTENANCE

Air Cleaner Element Maintenance

NOTES

This is a dry air filter. Do not apply oil to the filter element.

When servicing the air cleaner, apply Loctite 243 (blue) to threads of all fasteners.

1. See Figure 1. Remove air cleaner cover (B) and inspect the filter element (7) every 5000 mi (8000 km), or more often under dusty conditions.
2. Clean filter element as follows:
 - a. Remove and wash element by immersing it, on edge, in a shallow pan containing enough Air Cleaner/Degreaser to cover *no more than 3/4* the depth of the filter pleats. *Do not let dirty solution get inside the element.* Carefully "roll" the element in the solution around its perimeter until the entire outer surface of the filter pleats has been soaked.
 - b. Remove filter element from cleaner/degreaser and allow five minutes for the cleaner to dissolve the dirt.
 - c. From the inside out, rinse the element with cold water. Shake off excess water, and allow the element to air dry. *Do not dry with compressed air.*
3. Install air cleaner element and cover.

SERVICE PARTS

is05130

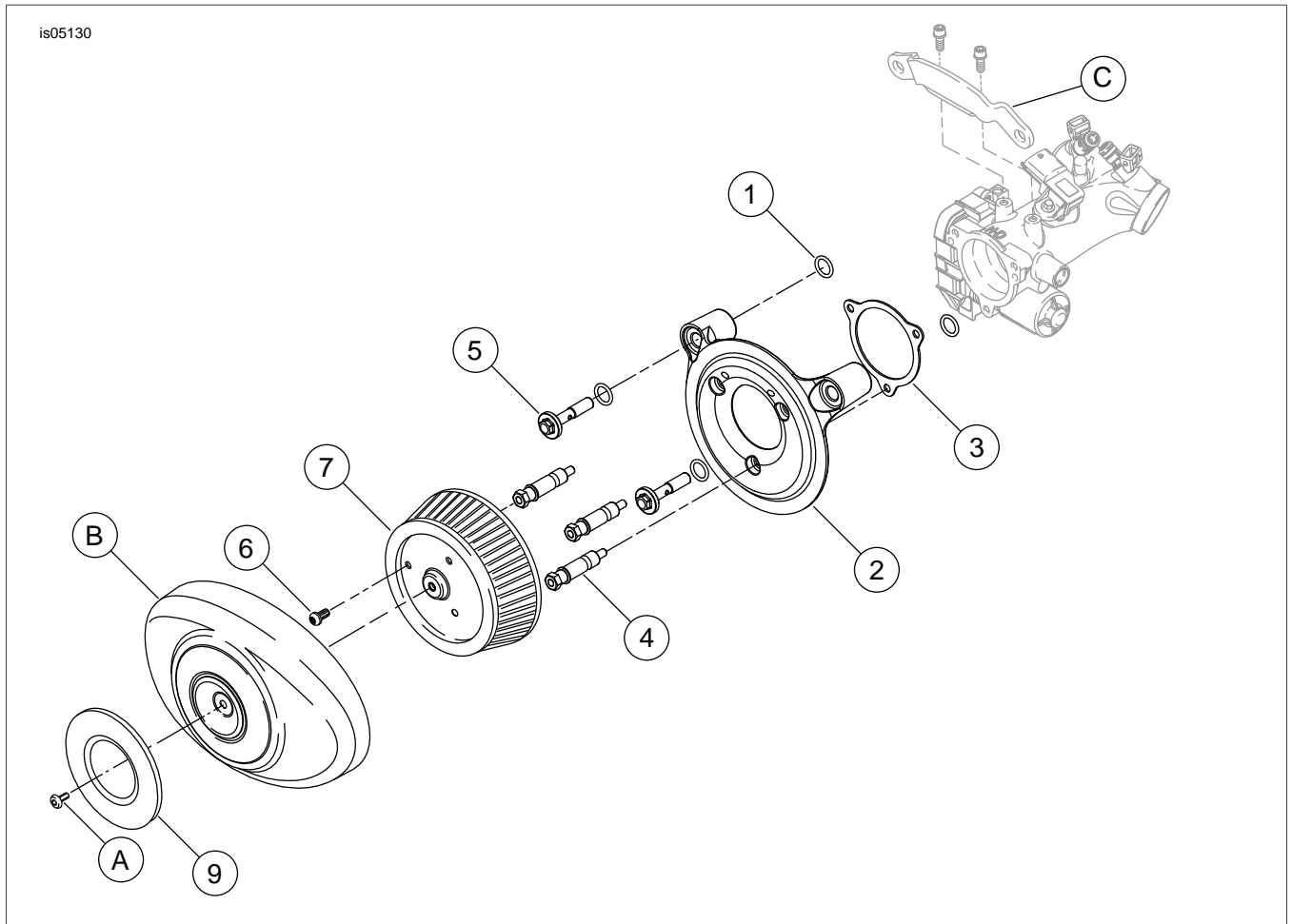


Figure 1. Service Parts: Screamin' Eagle Stage 1 Kit

Table 1. Service Parts: Screamin' Eagle Stage 1 Kit

Item	Description (Quantity)	Part Number
1	O-ring, #2-113 (4)	11292
2	Backplate	29239-08
3	Gasket, throttle body	29241-08
4	Stud, mounting (3)	29447-99A
5	Bolt, breather, (2)	29267-08
6	Screw, hex socket buttonhead (3)	3938
7	Air filter element	29244-08
8	Insert, air cleaner	29503-07
Items mentioned in text, but not included in kit:		
A	Air cleaner cover	
B	Air cleaner cover screw	
C	Induction Module Bracket	