



# INSTRUCTIONS

-J03299

REV. 2005-02-14

## STREAMLINER SHIFTER PEG KIT

### GENERAL

#### Kit Number

34967-04

#### Models

This kit is designed for installation on all model motorcycles.

#### NOTE

See *Service Parts Illustration* for kit contents. The shifter peg rubber tread and tread supports (large and small) will be assembled into the shifter peg casting.

#### Kit Contents

See Figure 1 and Table 1.

There are no Service Parts available with this kit.

### INSTALLATION

#### NOTE

A *Service Manual* for your motorcycle is available at your Harley-Davidson Dealer. To enhance the Streamliner shifter pattern, orient the pegs as shown in the *Service Parts Illustration*.

### WARNING

Be sure to follow manufacturer's instructions when using the UltraTorch UT-100 or any other radiant heating device. Failure to follow manufacturer's instructions can cause a fire, which could result in death or serious injury. (00335a)

- Avoid directing heat toward any fuel system component. Extreme heat can cause fuel ignition/explosion resulting in death or serious injury.
- Avoid directing heat toward any electrical system component other than the connectors on which heat shrink work is being performed.
- Always keep hands away from tool tip area and heat shrink attachment.

1. If needed, apply heat with a heat gun to shift lever treads and treads on shifter peg to aid peg removal. Remove and discard existing shifter peg.
2. Using a button head cap screw (3), attach assembly to shift lever. Tighten screw to 12-14 ft-lbs (16.3-19 Nm).

#### NOTE

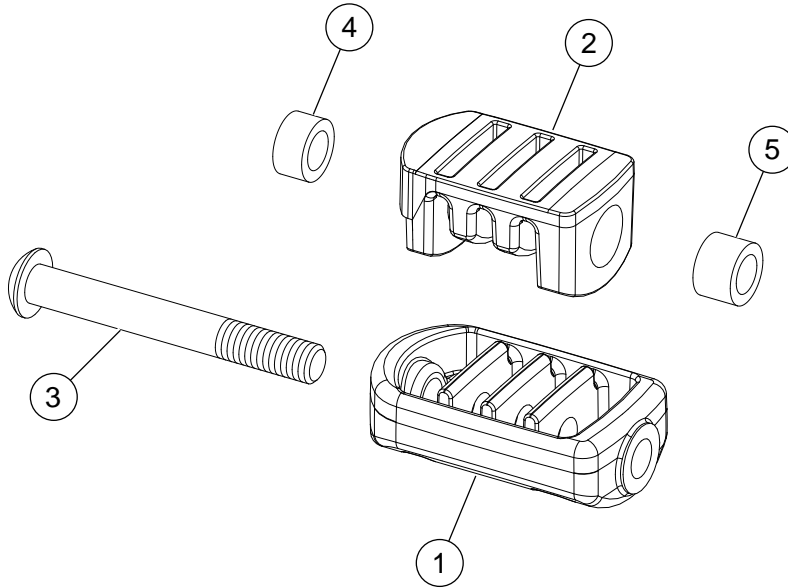
See *Service Parts illustration*. Screw (3) has a lock patch to prevent loosening.

#### NOTE

If the button head cap screw must be removed after installation of the assembly, apply Loctite® 243 (blue) (Harley-Davidson part number 99642-97) to threads before installing screw.

# SERVICE PARTS

is02093



**Figure 1. Service Parts: Streamliner Shifter Peg Kit**

**Table 1. Service Parts Table**

Item	Description (Quantity)	Part Number
1	Casting, Streamliner shifter peg	Not Sold Separately
2	Tread, shifter peg	34970-04
3	Screw, button head cap	4373
4	Tread support, small	33953-05
5	Tread support, large	33954-05