



INSTRUCTIONS

-J02986

REV. 2003-08-07

PASSENGER FOOTPEG KIT

GENERAL

Kit Number

50203-04

Models

This kit fits 2004 and later XL (Sportster®) models without passenger footpegs.

This kit is also a direct replacement for the original equipment passenger footpegs on XL models so equipped.

Kit Contents

See Figure 1 and Table 1.

INSTALLATION

Right Side

1. See the Service Parts illustration. Remove and discard the black plastic hole plugs (A) in the frame.
2. Obtain the right-side passenger footpeg (1) and two hex socket head screws (2) from the kit. Install the bracket to the frame as shown, and torque the screws to 45-50 ft-lbs (61-68 Nm).

NOTE

The spring washer goes between the jaws of the footpeg support bracket along with the mounting end of the footpeg.

WARNING

Footrests must fold up and toward rear of motorcycle if struck. Failure to set footrests to fold up and back could result in death or serious injury. (00366a)

NOTE

Footpegs must be installed in the bracket with the rounded side of the mounting end inboard. When footpegs are properly installed, footpegs will fold upward at a 45° angle toward the rear of the motorcycle.

3. Install a passenger footpeg (3) on the footpeg support bracket as shown using a clevis pin (5), spring washer (7), and retaining ring (6) from the kit.

Left Side

4. Remove and discard the hex socket head screw retaining the double-tube rear brake line clamp. Remove and discard the black plastic hole plug (A) in the lower hole.

Repeat steps 2 and 3 for left side footpeg.

SERVICE PARTS

See Figure 1 and Table 1.

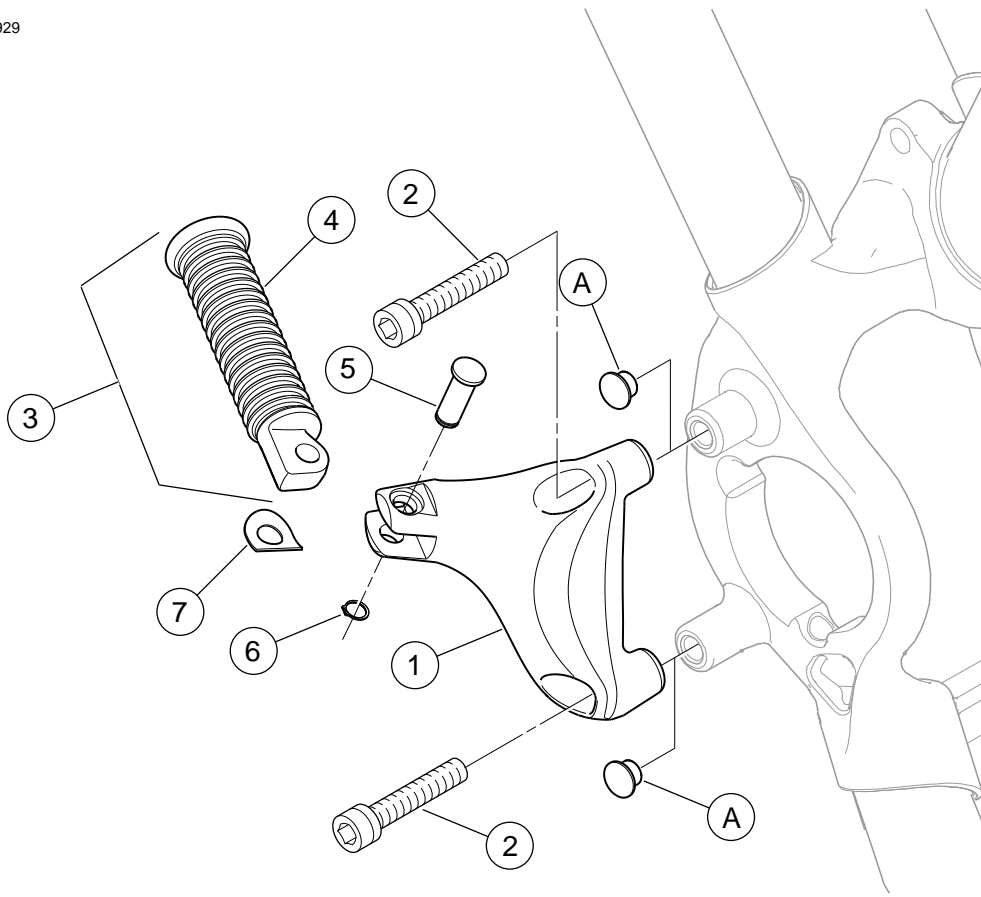


Figure 1. Service Parts: Passenger Footpeg Mounting Kit

Table 1. Service Parts Table

Item	Description (Quantity)	Part Number
1	Passenger footpeg bracket, right side (shown)	49314-04
	Passenger footpeg bracket, left side (not shown)	49315-04
2	Screw, hex socket head (4)	4748
3	Passenger footpeg (2)	33048-72
4	Rubber, footrest	33189-63
5	Clevis (2)	45041-01
6	Retaining ring	11304
7	Spring washer (2)	50912-72
Items mentioned in text, but not included in kit:		
A	Black plastic hole plug (2)	