



# INSTRUCTIONS

-J02624

REV. 7-3-02

Kit Number 17675-01B

## SCREAMIN' EAGLE ROCKER SUPPORT KIT

### General

This rocker support fits 1999 and later Twin Cam 88 engines.

### Installation

#### NOTE

A Service Manual for your motorcycle is available from your Harley-Davidson Dealer.

#### WARNING

A Service Manual is required to install this kit. The rider's safety depends upon the correct installation of this kit. If the procedure is not within your capabilities or you do not have the correct tools, have your Harley-Davidson dealer perform the installation. Improper installation of this kit could result in death or serious injury.

1. Remove the existing rocker supports according to the Service Manual instructions.
2. Install the new rocker supports according to the Service Manual instructions.

#### NOTE

See Figure 1. The new rocker support installs the same as the stock rocker support except that the new socket-head bolts replace two stock hex-head bolts where shown.

#### NOTE

To avoid contact between the pushrods and upper pushrod covers, you may need to shift the rocker supports toward the engine cam side. To check the clearance between the pushrods and covers, rotate the engine until both valves are closed in the cylinder you are checking.

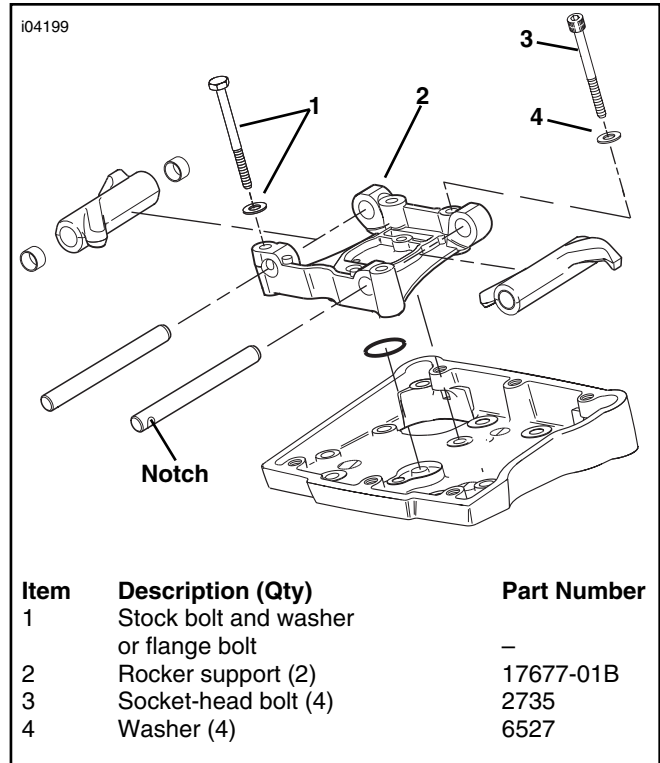


Figure 1. Rocker Arm Assembly