



INSTRUCTIONS

-J02095

REV. 09-26-2003

Kit Numbers 58649-97A and 58651-97A

DETACHABLE KING-SIZE WINDSHIELD FOR SOFTAIL MODELS WITH CHROME NACELLE AND PASSING LAMPS

General

These windshield kits fit 1986 and later FLSTC, FLSTF and FLSTN Softail® models equipped with a Chrome Headlight Nacelle Kit (Part No. 67907-96) and a Passing Lamp Kit.

Kit 58649-97A has a low profile, smoked windshield.

Kit 58651-97A has a standard height, clear windshield.

NOTE

See the Service Parts Illustration for kit contents.

Installation

NOTE

Install the nacelle first. Follow the instructions provided in the nacelle kit. Then use the instructions below to mount the passing lamps and windshield.

NOTE

Before assembly, apply Loctite® 242 (blue) to screw threads that are threaded into the fork brackets.

1. For 1999 and earlier models, see Figure 1.
For 2000 and later models, see Figure 2.

With the passing-lamp assembly off of the motorcycle, place the top mounting hardware (items 21, 22, 23, 25, 26, and 28) on the passing-lamp brackets as shown. Tighten only the screws (25) located in the center position.

2. Remove screws and washers from bottom holes in nacelle.

NOTE

See the exceptions for the next step in Figure 2, Note 1.

3. Fasten the passing-lamp spacers (24) to the passing-lamp bracket. Put the bottom of the passing-lamp bracket into position and attach the bottom of the bracket, with lower docking points (20), to the fork bracket with screws (29) and chrome washers from the nacelle kit. Lightly snug the lower screws.

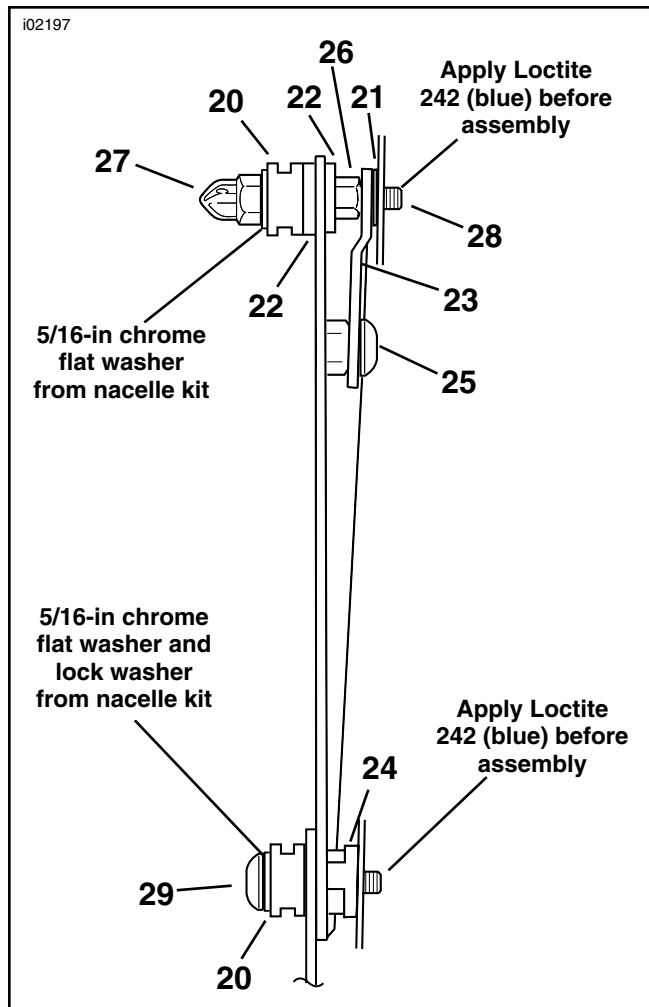
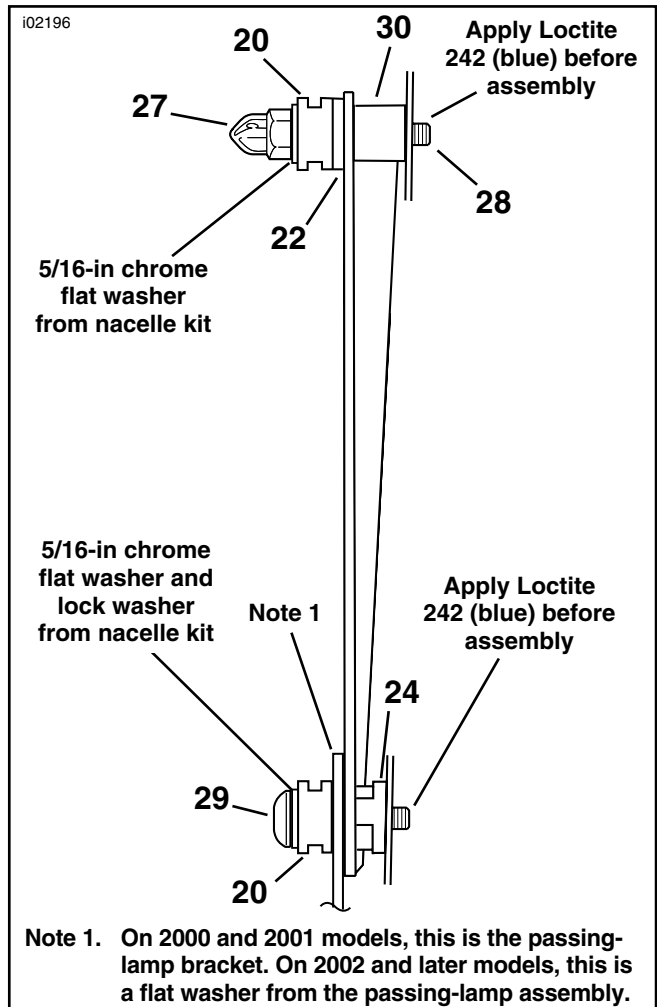


Figure 1. Hardware Stackup (1999 and Earlier Models)



Note 1. On 2000 and 2001 models, this is the passing-lamp bracket. On 2002 and later models, this is a flat washer from the passing-lamp assembly.

Figure 2. Hardware Stackup (2000 and Later Models)

4. Remove the screws and washers from the nacelle top holes.
5. For 2000 and later models, go to step 8.
For 1999 and earlier models, go to step 6.
6. Put the top of the passing-lamp bracket into position and thread the set screws (28) into the top fork-bracket holes until the set screws bottom. Allow the middle nuts (26) to remain free.
7. Tighten the middle nuts (26) against the adapter brackets (23). Go to step 9.
8. Put the top of the passing-lamp bracket into position. Thread set screws (28) through the bracket and spacer (30), into the top fork-bracket holes until the set screws bottom.
9. Cover the exposed end of the set screws and upper docking points with washers and acorn nuts (27) from the nacelle kit. Tighten the nuts to 19 ft-lbs (25.8 Nm).
10. Install the passing-lamp switch into the hole drilled in the nacelle.

Installing/ Removing the Windshield

1. Carefully lock the bottom windshield-assembly jaws into the grooves of the rubber docking bushings on the lower passing-lamp bracket.
2. Hook the top windshield-assembly jaws into the grooves of the rubber docking bushings on the upper passing-lamp bracket.
3. Firmly press the windshield into place until it is seated on the docking bushings.
4. To remove the windshield, grab the windshield edges on each side of the center brace and firmly pull the windshield loose from the docking bushings.

WARNING

Inspect windshield upon completion of installation. Be sure windshield mounting does not restrict full left or full right movement of front fork assembly. Restricted movement could affect handling, resulting in death or serious injury. If restriction does occur, adjust windshield as needed until proper clearance is obtained. Have experienced Harley-Davidson service personnel correct any problems before riding with this accessory installed.

WARNING

Check mounting hardware periodically. Never ride with loose mounts. A loose mounting causes extra stress on all other mounts, as well as the windshield itself, and could result in premature failure of components allowing the windshield to detach and startle the rider. This could cause loss of control and death or serious injury.

Care and Cleaning

CAUTION

Do not clean Lexan® polycarbonate in hot sun or high temperature. Powdered, abrasive or alkaline cleanser will damage the windshield. Never scrape the windshield with a razor blade or other sharp instruments because permanent damage will result.

Sunlight reflections off of the inside curvature of a windshield can, at certain times of the day, cause extreme heat build-up on motorcycle instruments. Exercise care in parking. Park facing the sun, place an opaque object over the instruments, or adjust the windshield to avoid reflections.

Harley-Davidson windshields are made of Lexan®. Lexan is a more durable and distortion-resistant material than other types of motorcycle windshield material, but still requires attention and care to maintain.

- Do not use liquid windshield “protectors” on your windshield. Although they may work well on automobile safety glass, Harley-Davidson cannot ensure the results when used on Lexan® Harley-Davidson windshields. If you want to use a windshield protectant on your windshield, try Harley Glaze Polish and Sealant® #99701-84, or Novus Plastic Cleaner Protectant #99837-94T.
- Do not use benzine, paint thinner, gasoline, or other types of harsh cleaning agents on windshield. They will damage the windshield surface.
- Do not use benzine, paint thinner, gasoline, lubricants (including Armorall®), or other cleaning agents on the rubber bushings. They will damage the bushing surfaces.

NOTE

Covering the windshield with a clean, wet cloth for approximately 15 minutes before washing will make dried bug removal easier.



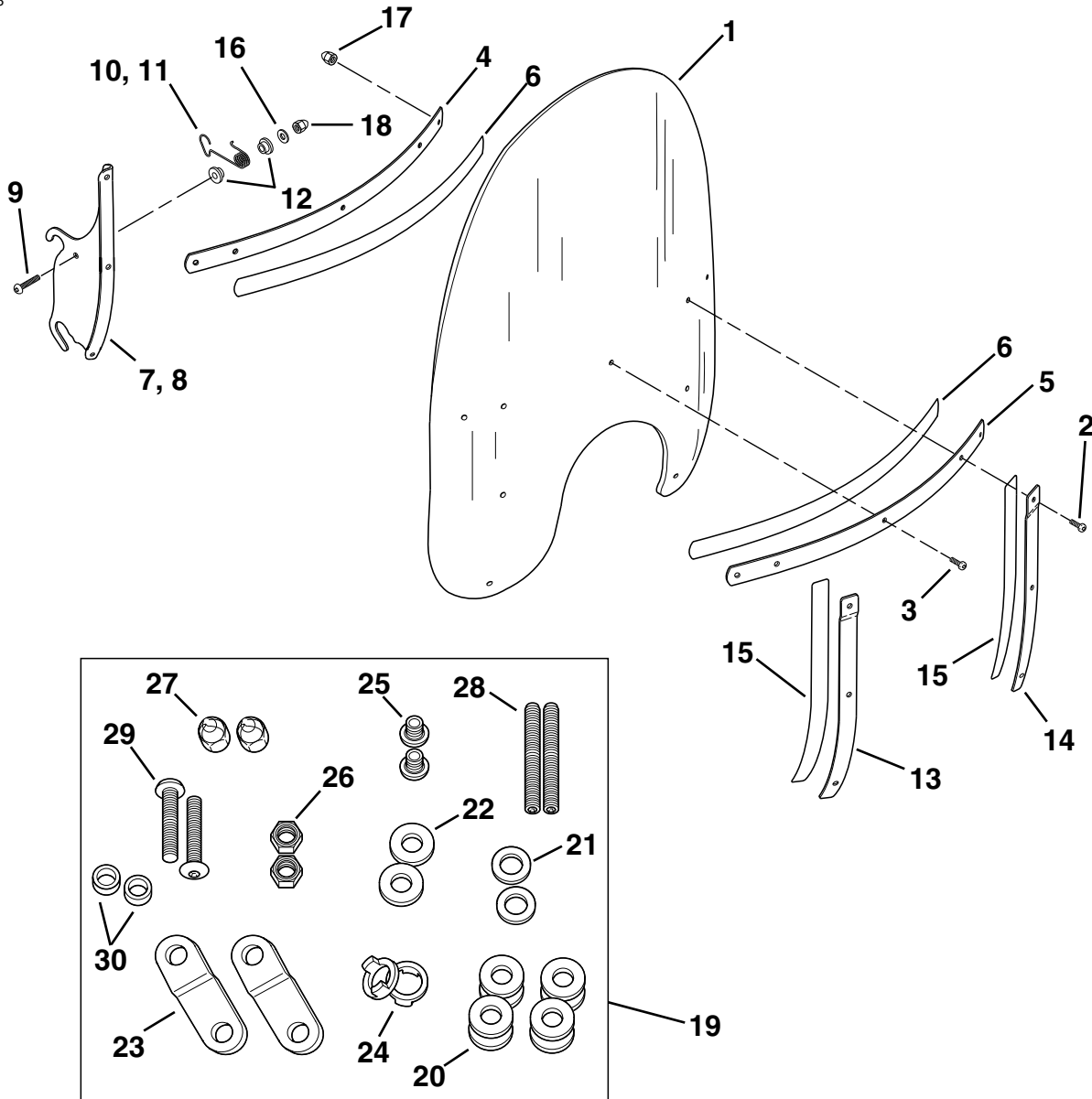
Service Parts

Part No. 58649-97A, 58651-97A

Date 09/03

Detachable King-Size Windshield

102198



Item	Description	Part No.	Item	Description	Part No.
1	Replacement Windshield Standard Height Clear	58657-97	16	Flat Washers, 1/4 in. (2)	6703
	Low Profile Smoked	58658-97	17	Acorn Nuts (9)	7651
2	Panhead Screws, Torx (2)	2452	18	Acorn Nuts, 1/4-20 (2)	94004-90T
3	Panhead Screws, Torx (7)	2921	19	Hardware Kit (includes items 20 through 30)	58211-97B
4	Inner Windshield Brace	58431-94	20	Docking Bushing (4)	67621-94
5	Outer Windshield Brace	58428-94	21	5/16 Chrome Flatwasher (2)	94066-90T
6	Windshield Brace Tape (2)	58416-77A	22	5/16 Flatwasher, Thick (4)	6400HB
7	LH Windshield Bracket	58291-95	23	Adapter Bracket (2)	58373-96
8	RH Windshield Bracket	58292-95	24	Passing Lamp Spacer (2)	5864A
9	Buttonhead Screws (2)	94426-95	25	Screw, 5/16-24 x 3/8 in. (2)	3533
10	LH Windshield Retainer	58252-95	26	Hex Nut, 5/16-24 (2)	94043-90T
11	RH Windshield Retainer	58253-95	27	Acorn Nut, 5/16-24 (2)	94007-90T
12	Nylon Bushings (4)	58272-95	28	Set Screw, 5/16-24 x 2 in. (2)	3283
13	RH Brace	58406-75A	29	Screw, 5/16-24 x 1-1/2 in. (2)	4176
14	LH Brace	58408-75A	30	Spacer, Chrome (2)	5799
15	Windshield Brace Tape (2)	58417-77			