



INSTRUCTIONS

-J01511

REV. 5-31-01

Kit Number 58006-87C

WINDSHIELD KIT

General

This kit installs on 1987 FXLR, FXRS-SP models and all 1988 and later XLH, FXR, FXD (except FXDWG) models. All these motorcycles have 39mm front forks.

See the Service Parts illustration for kit contents.

Installation

WARNING

Inspect this windshield upon completion of installation to be certain windshield mounting does not restrict full left or full right movement of the front fork assembly. Restricted fork movement could cause loss of control resulting in death or serious injury. If restriction does occur, adjust windshield as needed until clearance is obtained.

MODELS EQUIPPED WITH FORK-MOUNTED TURN SIGNALS

If turn signals are not mounted on the upper fork bracket, go to INSTALLING THE WINDSHIELD. Otherwise, read this paragraph. On models with turn signals mounted on the upper fork bracket, the turn signals must be relocated to the lower fork bracket. To relocate the turn signals, use Directional Relocation Kit 72389-96. Refer to the instruction sheet provided with the kit for proper wiring procedure, then go to the windshield installation described in this instruction sheet.

INSTALLING THE WINDSHIELD

1. See Figure 1. Loosely install the new windshield right-mounting bracket (2) and a windshield mounting bracket clamp (3) as shown onto right-front fork tube using two 5/16 - 18 x 3/4 in. hex flange bolts (7), two chrome washers (9) and two 5/16 - 18 locknuts (8).
2. Position the windshield right-adjusting bracket (1) (part of windshield assembly) over the outboard side of the new windshield right-mounting bracket (2).

WARNING

Do not substitute any ordinary fasteners in place of the special shoulder bolts (5) and Belleville washers (4) included with this special kit. These bolts and washers are designed to maintain a specific clamping force in this windshield mounting application. Ordinary fasteners could allow windshield to detach, startle rider, cause loss of control resulting in death or serious injury.

3. Insert a shoulder bolt (5) through one Belleville washer (4) (with concave [cupped] side of washer facing away

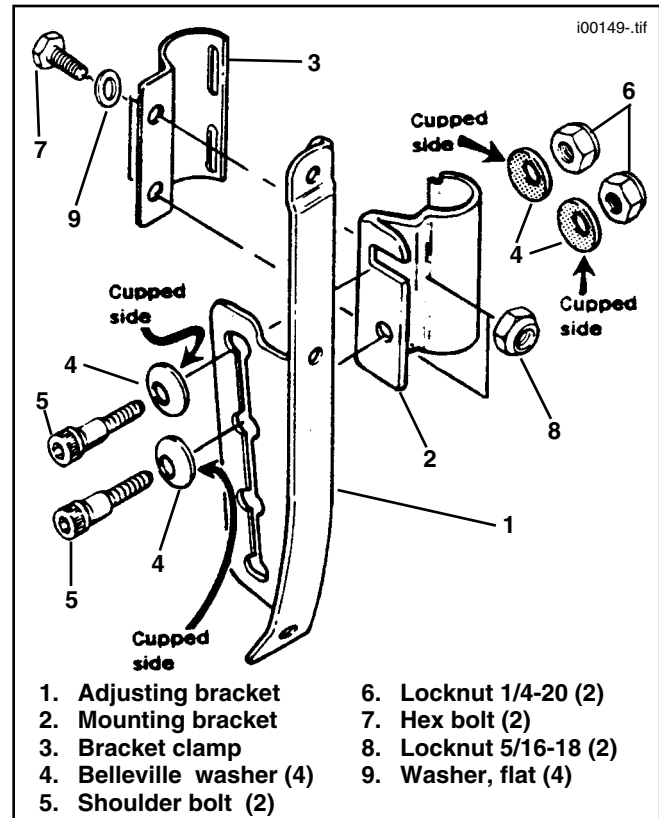


Figure 1. Windshield Hardware - Right Side

1. from bolt head), through slot of adjusting bracket (1), and slotted, upper hole in mounting bracket (2). Install another Belleville washer (4) (with concave [cupped] side of washer facing windshield right mounting bracket) and a locknut (6) over end of bolt. Do not final tighten at this time.
4. Install the same fastener arrangement (as in the previous step) through slot of adjusting bracket (1) and lower hole of mounting bracket (2). Do not final tighten at this time.
5. Repeat all the above steps for left side of vehicle.
6. Adjust windshield to desired height. Verify that windshield is properly positioned (and not distorted) on motorcycle. Secure mounting bracket (2) and clamp (3) to front fork tube by tightening locknuts (8) to 12 ft.-lbs.

WARNING

Before tightening shoulder bolts (5) and locknuts (6), verify that the outer Belleville washer (4), the adjusting bracket (1), the mounting bracket (2), and the inner Belleville washer (4) are positioned over the unthreaded, larger O.D. shaft section of each shoulder bolt (5); also verify that the mating surface (shoulder) of each shoulder bolt (5) contacts the mating surface of the attached locknut (6). If all fastener components are not properly positioned, the windshield could detach, startle rider, cause loss of control and result in death or serious injury.

7. Secure adjusting bracket (1) to mounting bracket (2) by tightening shoulder bolts (5) and locknuts (6) to 8 10 ft-lbs.
8. If front signal lights were relocated, test operation of turn signals and running lights. If operation is not correct, verify that the wire splices were made properly.



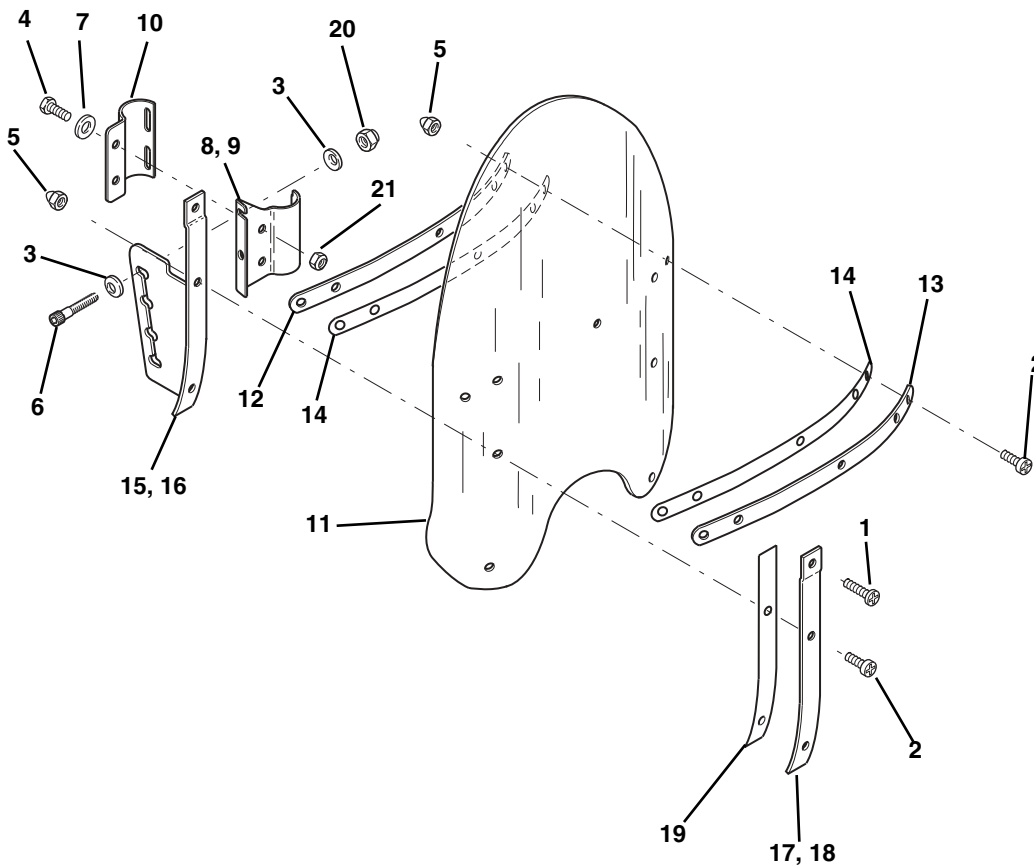
Service Parts

Part No.58006-87C

Date 5/01

Windshield Kit

i02379



Item	Description	Part No.	Item	Description	Part No.
1	Screw,	2452	12	Brace, inner	58050-78A
2	Screw	2921	13	Brace, outer	58051-78A
3	Belleville Washer	6068	14	Tape, inner and outer brace	58052-78
4	Screw	94192-91T	15	Adjustable bracket, left	58079-49
5	Acorn nut	7651	16	Adjustable bracket, right	58078-49
6	Shoulder bolt	52255-93	17	Brace, right	58406-75A
7	Washer, chrome	94066-90T	18	Brace, left	58408-75A
8	Bracket, right	58030-87A	19	Tape, right and left brace	58417-77
9	Bracket, left	58033-87A	20	Locknut	94026-92T
10	Clamp	58035-87A	21	Locknut	94028-92T
11	Windshield, replacement	58061-96			