



# INSTRUCTIONS

-J00545

REV. 2007-03-15

## CHROME DISPLAY STAND KIT

### GENERAL

#### Kit Number

99002-97A

#### Models

For model fitment information, please see the P&A Retail Catalog or the Parts and Accessories section of [www.harley-davidson.com](http://www.harley-davidson.com) (English only).

#### NOTE

A Service Manual for your model motorcycle is available from a Harley-Davidson Dealer.

#### Kit Contents

See Figure 4 and Table 1.

### INSTALLATION

1. See Figure 1. Remove the locknuts (1) and washers (2) from the regulator clinch studs (3). On fuel injected models, remove the regulator wire clip (4). Let the regulator hang by its wires. Move the voltage regulator safely away from the regulator clinch studs in the frame cross-member. Use a hammer to knock the regulator clinch studs out of the frame cross-member.

See Figure 4. Install the 1/4-20 x 1-1/4 inch hex bolts (14) and 1/4 inch washer (13) through the cross-member stud holes, from the bottom.

2. Position the stand mounting brackets over the new regulator bolts.
3. Loosely fasten the display-stand side brackets to the vehicle using 3/8-24 x 2-1/2 inch bolts (2), stock washers (A), spacers (3), and locknuts (4) through the rear hole.
4. Loosely fasten the voltage regulator and mounting bracket into position.
5. Tighten the 3/8-24 x 2-1/2 inch bolts (2) to 33 ft-lbs (44.7 Nm). Tighten the 5/16-inch bolts (6) to 19 ft-lbs (25.8 Nm).

#### NOTE

The voltage regulator requires a clean vehicle ground to function properly.

6. See Figure 1. Place the regulator wire clip (4) over the right-side bolt. Place the regulator in position.  
See Figure 4. Fasten the stock washers (A) and locknuts (B) to the 1/4-20 x 1-1/4 inch hex bolts (14). Tighten locknuts to 72-96 in-lbs (8.1-10.8 Nm).

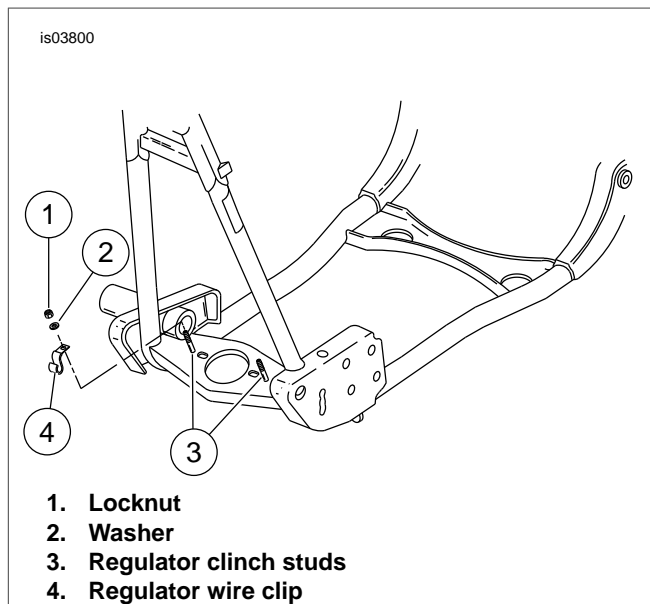


Figure 1. Frame

#### NOTE

See Figure 4. When replacing the bolt (7), spring washer (8), foot peg (9), or locknut (10) as a service part, tighten bolt (7) to 12 ft-lbs (16.3 Nm).

### ADJUSTING THE DISPLAY STAND

The display stand is factory-adjusted for your motorcycle. The feet of the display stand are independently adjustable to vertically level the vehicle and to adjust the height of the front end with the display stand extended.

#### NOTE

When the display stand leg bolts are correctly adjusted, the front wheel is on the ground but enough weight is on the display stand legs to make the motorcycle stable from side-to-side. Engaging the display stand should require little effort.

#### To adjust the display stand:

1. Lower the display stand. See USING THE DISPLAY STAND in this instruction sheet.
2. Determine which side of the display stand requires raising or lowering to equalize the vertical orientation of the displayed vehicle.
3. Raise the display stand.
4. Lower the jiffy stand to support the vehicle.
5. See Figure 4. Loosen the jamnut (11) on one side of the display stand.
6. Turn the leg bolt (12) to lengthen or shorten the display stand leg.

**NOTE**

Note that the bolt is 2-1/4 inches long; do NOT over-extend the bolt.

7. Adjust the leg bolts with the display stand up and the jiffy stand down to prevent the motorcycle from falling over, which could result in equipment damage.
8. When adjustment is complete, tighten the jamnuts against the display stand legs to lock the leg bolts into position.
9. Periodically check all display stand fasteners for tightness.

**NOTE**

A grease fitting is provided at the bottom center of the stand. Lubricate the stand at regular intervals with a good quality grease.

## USING THE DISPLAY STAND

**WARNING**

When using this display stand, do not park on inclined surfaces with the motorcycle front pointing downhill. The vehicle could roll off the stand and fall, resulting in death or serious injury. (00524b)

**WARNING**

Never start engine when motorcycle is on display stand. Motorcycle could fall resulting in death or serious injury. (00548b)

1. See Figure 2. With the vehicle on a level surface and standing on the left side of the vehicle, lift the left rider footboard (1).

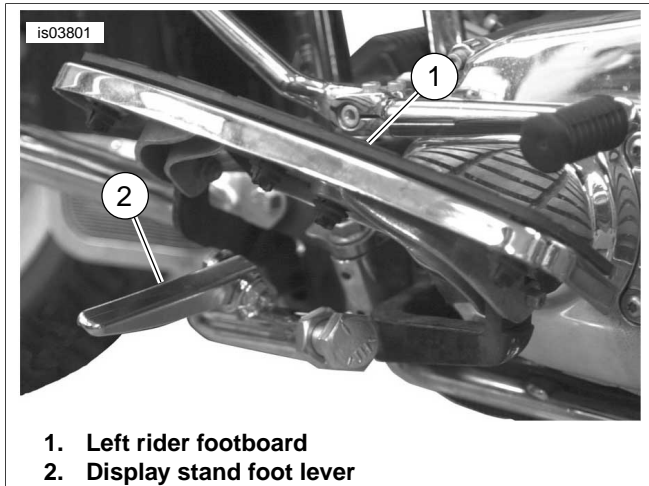


Figure 2. Left Rider Footboard and Display Stand Foot Lever

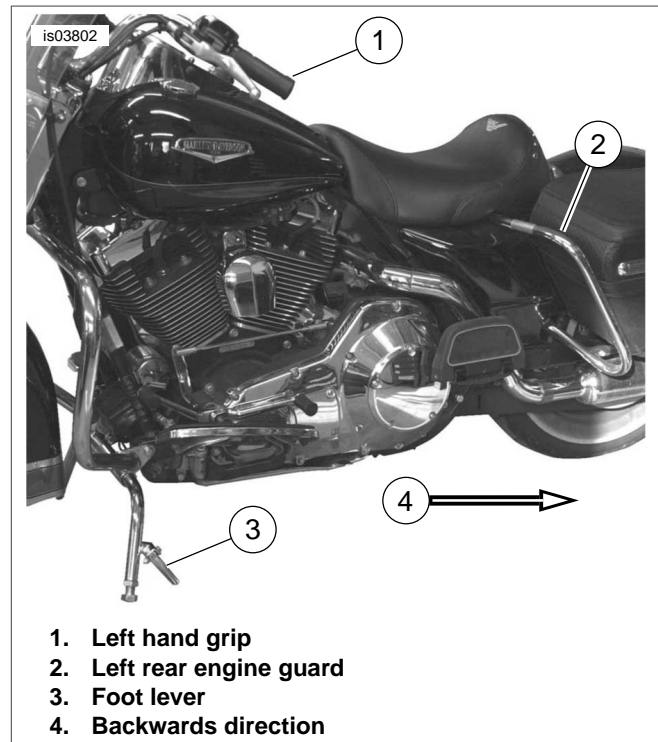


Figure 3. Grab Points for Using Display Stand

2. See Figure 3. Hold the left hand grip (1) with your left hand, and the top of the left-rear engine guard (2) with your right hand.
3. Raise the jiffy stand.
4. Place your left foot on the display stand foot lever (3) to lower the display stand legs to the ground.

**NOTE**

Do not stand on the display stand foot lever. Standing on the foot lever may damage the display stand.

5. Brace your left foot against the foot lever.
6. Roll the vehicle backward (4) to ease the vehicle onto the display stand.

**NOTE**

To prevent display stand damage, the extended display stand must not allow the front wheel to lift off the ground.

# SERVICE PARTS

is03803

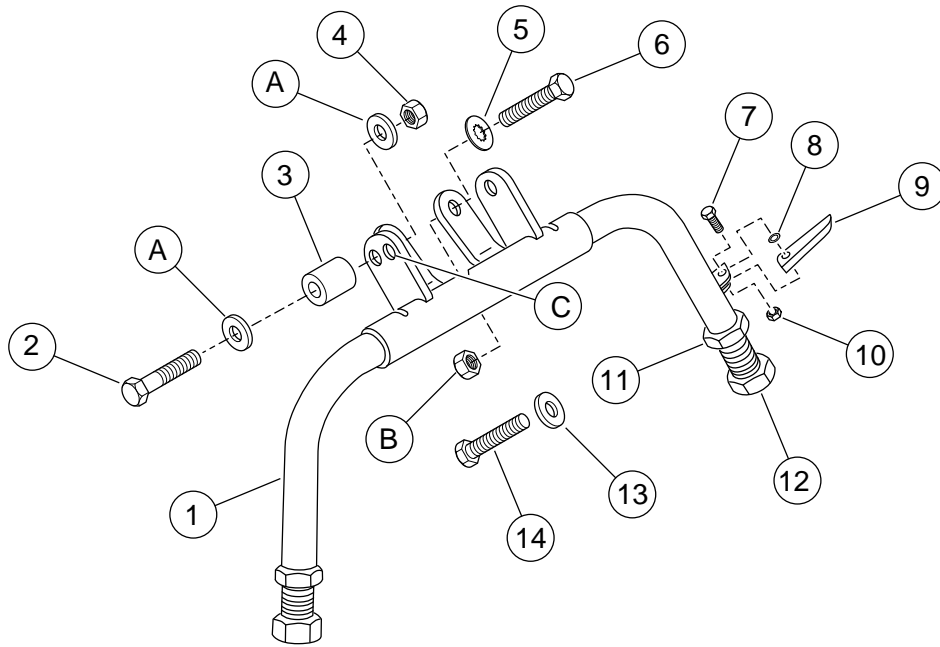


Figure 4. Service Parts: Chrome Display Stand Kit

Table 1. Service Parts Table

Item	Description (Quantity)	Part Number
1	Display stand	Not Sold Separately
2	Bolt, hex head, 3/8-24 x 2-1/2 inch (2)	4412
3	Spacer (2)	91571-97
4	Locknut, 3/8-24 (2)	7775
5	Lockwasher, internal tooth, 5/16 inch (2)	7127
6	Bolt, hex head, 5/16-24 x 1.0 inch (1991 and earlier models) (2)	3960W
	Bolt, hex head, 5/16-18 x 1.0 inch (1992-1994 models) (2)	4017
7	Bolt, hex, 5/16-24 x 1-1/2 inch	4036
8	Spring washer	50902-02
9	Foot peg	33193-02
10	Flange locknut, 5/16-24	94069-02
11	Jamnut, 3/4-16	7855W
12	Leg bolt, hex head, 3/4-16 x 2-1/4 inch	4034
13	Washer, flat, 1/4 inch (2)	6703
14	Bolt, hex head, 1/4-20 x 1-1/4 inch (2)	3993
15	Hex drive insert (not shown)	Not Sold Separately
<b>Items mentioned in text, but not included in kit:</b>		
A	Stock washer (3)	
B	Stock locknut	
C	Front hole, not used	